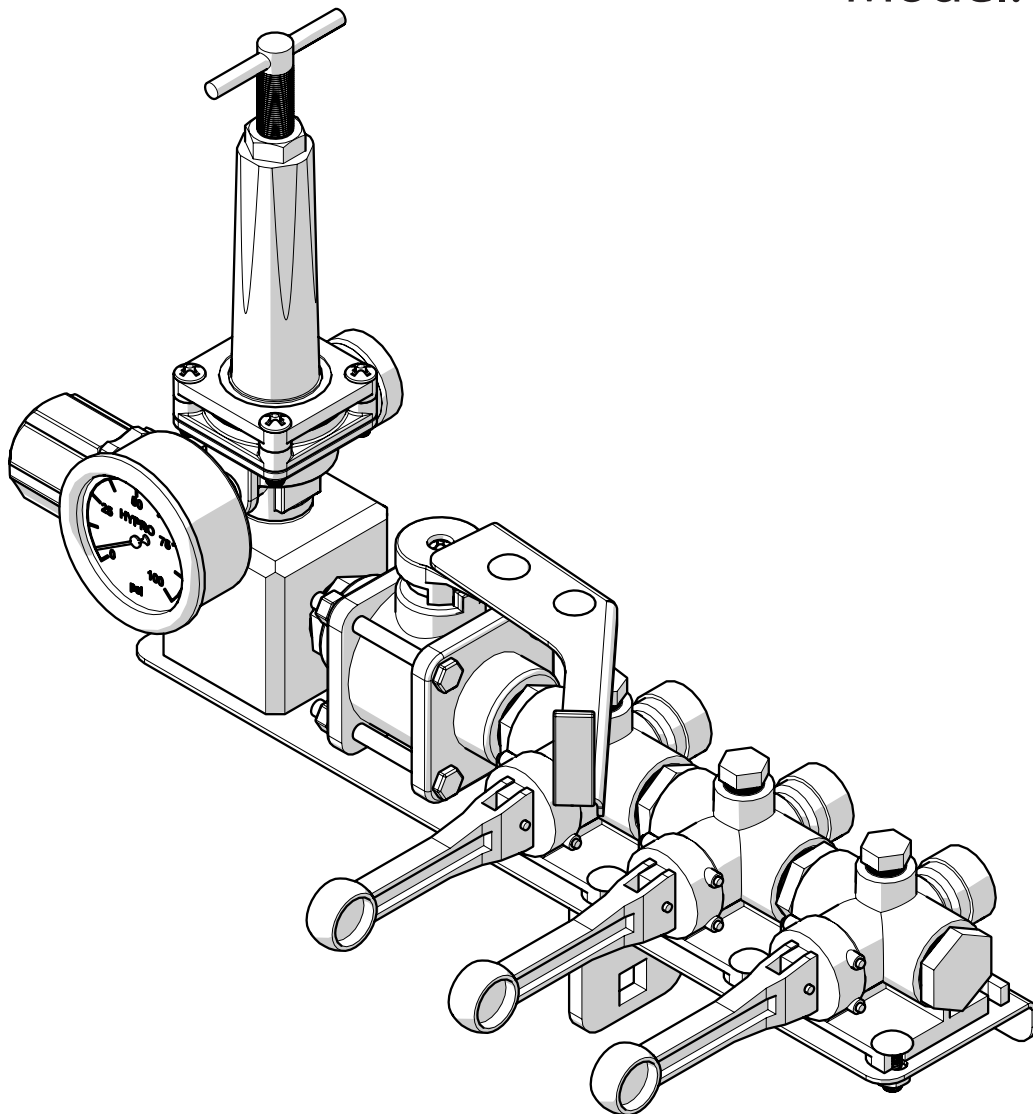




Owner's Manual

Manual Control Assembly

Model: 6B3MC1



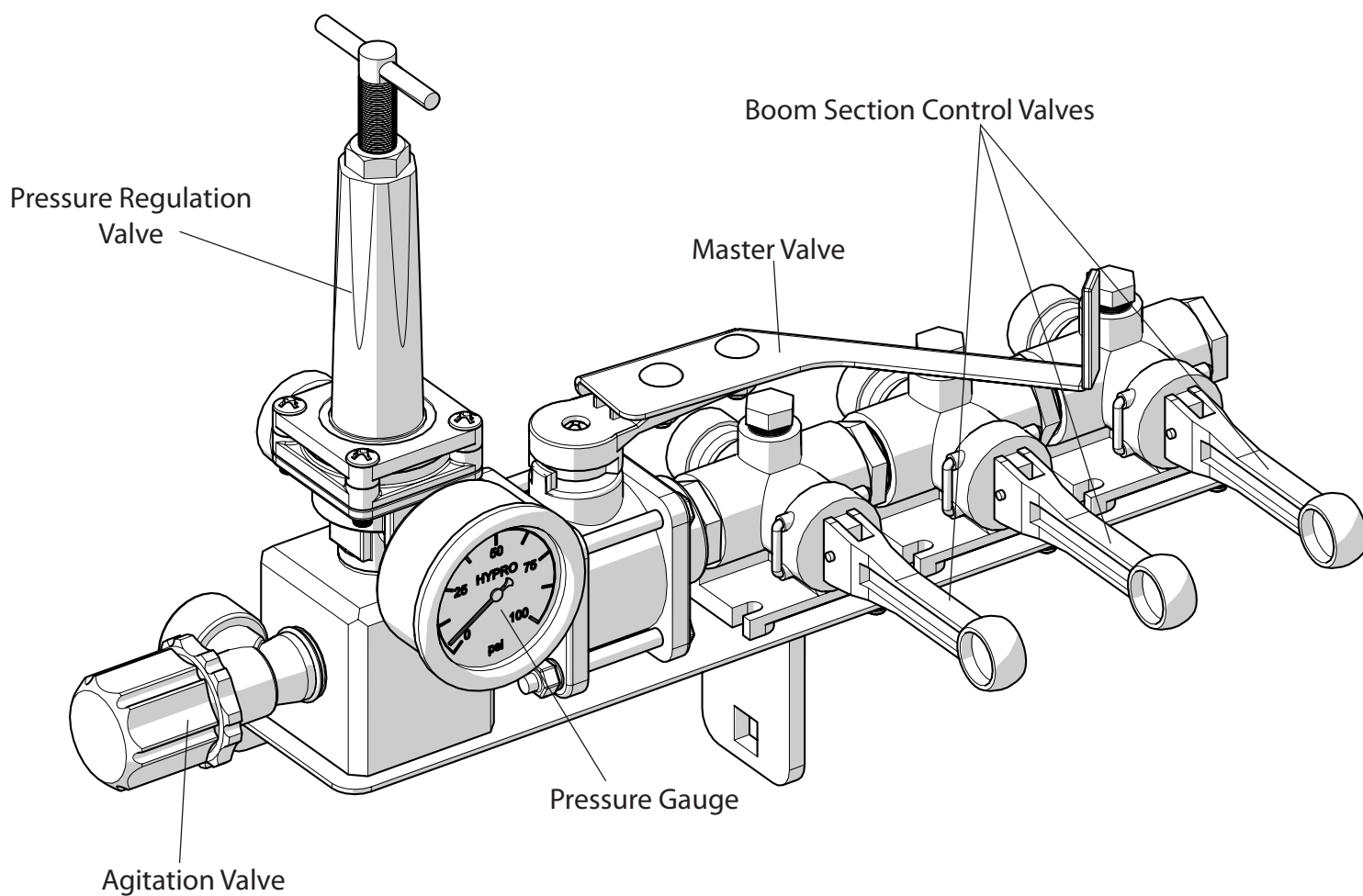
Manufactured by PBZ LLC
A Paul B Zimmerman Inc. Company
www.CropCareEquipment.com

Form: 6B3MC10M
Revision A Rev. Date 01/17

Table Of Contents

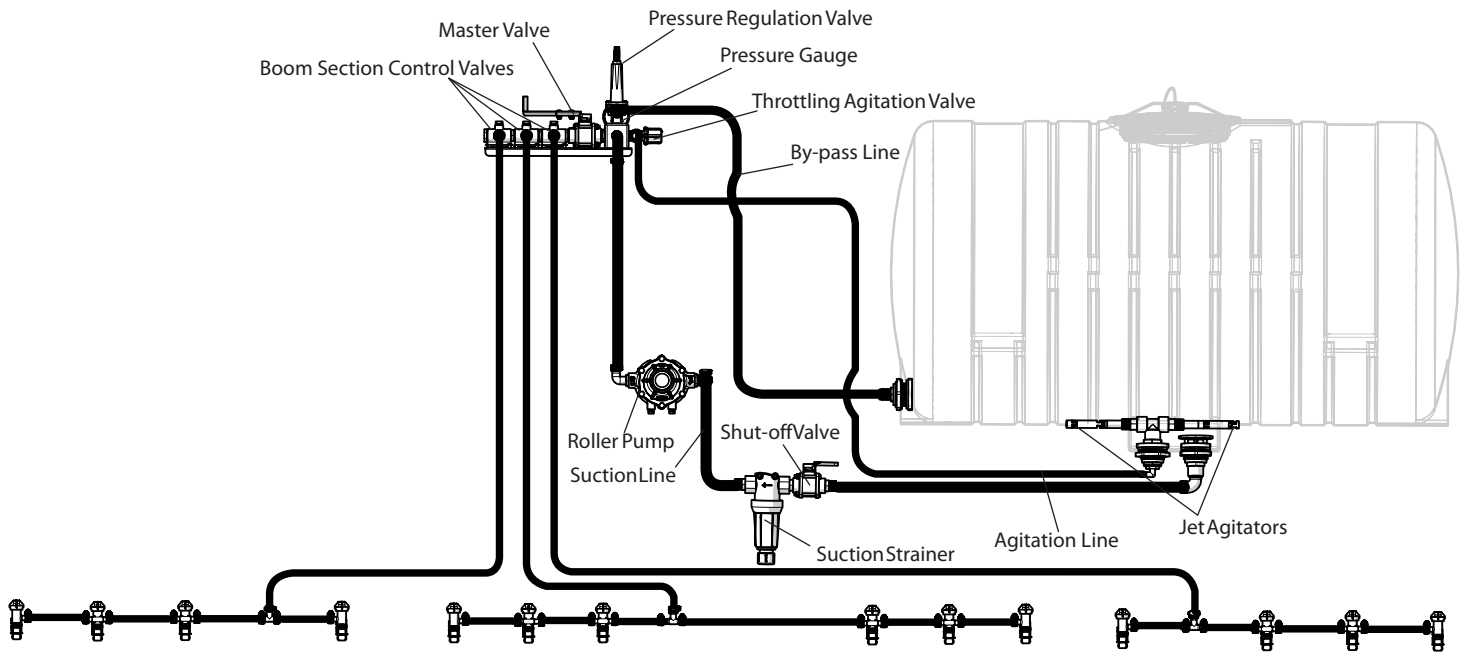
Introduction.....	2
Plumbing Diagram.....	3
Operating Instructions.....	3
Breakdowns & Parts Lists.....	4
6B3MC1.....	4
8460 Relief Valve.....	5
AA6B Manual Control Valve.....	5
Crop Care Limited Warranty.....	6
Ordering Parts.....	6

Introduction



* 6B31 does not come with a master valve

Plumbing Diagram

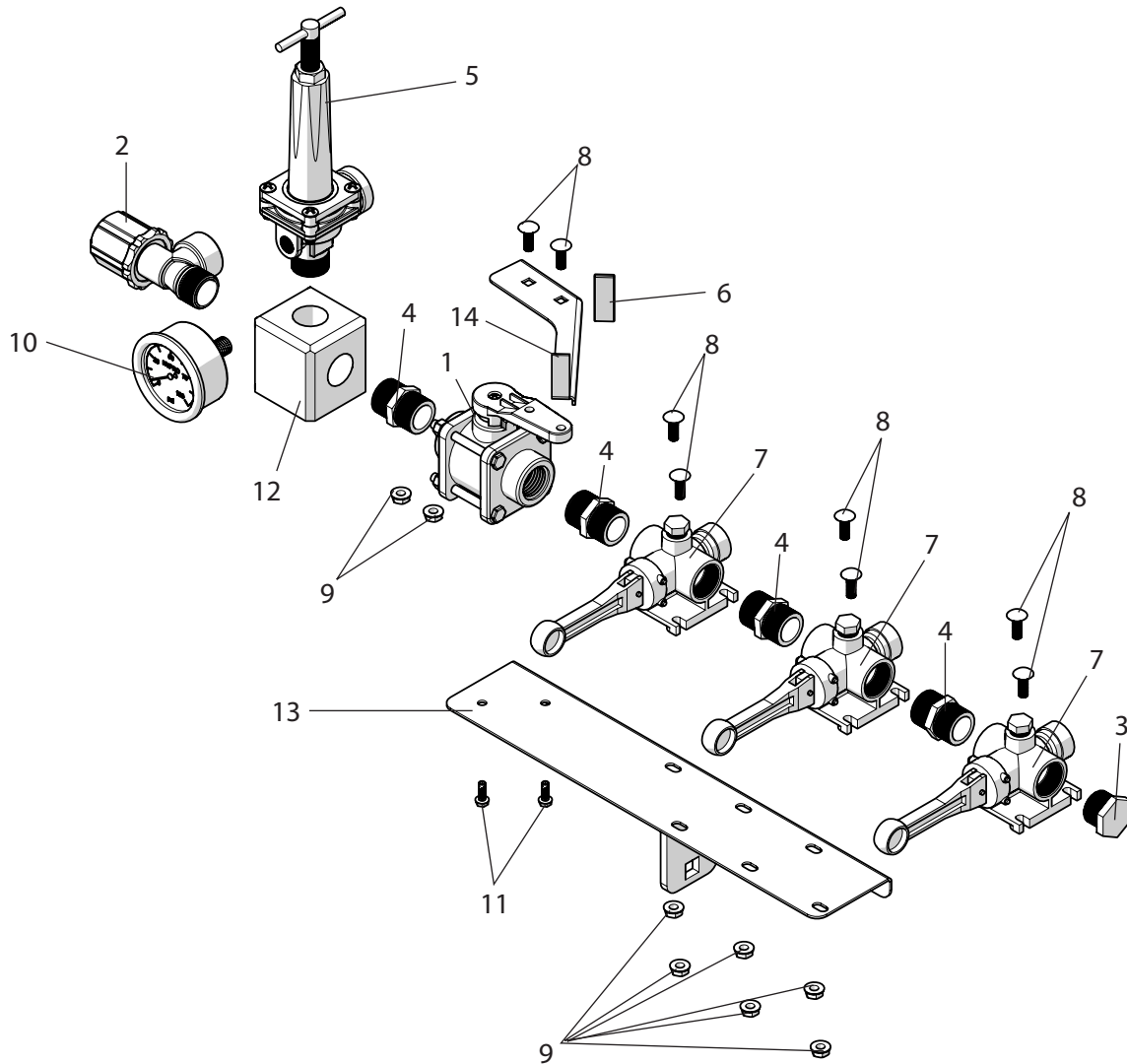


Operation Instructions

1. Reference plumbing diagram to ensure that control is correctly installed. Test sprayer for proper operation with freshwater only.
2. Before operating pump, be sure that boom section control valves are in the off (center) position. Close the agitation valve by turning clockwise until snug.
3. Start pump and turn adjusting screw on pressure regulating valve to achieve desired pressure (clockwise to increase, counter clockwise to decrease)
4. Open the agitation valve until desired agitation flow is achieved. Turn on all boom sections and use adjustment screw on pressure regulation valve to make final adjustment to achieve desired operating pressure. Tighten lock nut on pressure regulating valve adjustments screw.
5. Your sprayer control is now ready for spray application.

Breakdowns & Parts Lists

6B3MC1 Parts List

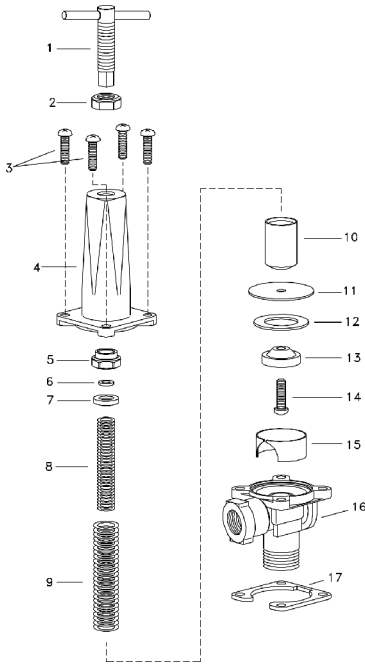


Ref #	Qty.	Part Number	Description
1	1	075FP	* Ball valve, bolted, 3/4" full port
2	1	2352034PP	Throttling valve, 3/4" NPT, poly, 150 psi
3	1	3F34	Plug, 3/4" MPT, poly
4	4	3M34	Pipe nipple, 3/4" MPT, poly
5	1	846034	Relief valve, diaphragm type, 300psi, 3/4" NPT fittings
6	1	85945K42	* Rectangular Vinyl Cap, black
7	3	AA6B	Control valve, manual, 3/4" FPT inlets, 1/2" FPT boom connection
8	8	CB14*34	Carriage bolt, 1/4-20 x 3/4", grade 2
9	8	FN14	Flange nut, 1/4-20
10	1	GG160B	Gauge, liquid filled, back mount, 160psi
11	2	HT10*34	Hex washer tap screw, #10 x 3/4"
12	1	PMB4	Plastic manifold body, 3/4" FPT x 4
13	1	T560	6B mount plate, triple, w/ master valve
14	1	VHE	* Handle extension for master valve, 6B3MC1

* Not included w/ 6B31 valve

Breakdowns & Parts Lists

8460 Relief Valve Breakdown & Parts List



Ref #	Qty.	Part Number	Description
1	1	CP5896-ALSS	Adjusting screw sub-assembly
2	1	CP5898-AL	Lock nut, aluminum
3	4	CP13093-7/8-IZP	Screw, zinc plated steel
4	1	CP8362-AL	Bonnet, aluminum
5	1	CP8368-SS	Adjusting nut, stainless steel
6	1	CP8369-NYB	* Washer, nylon, black
7	1	CP8371-AL	Spring retainer, aluminum
8	1	CP8374-I	* Inside spring, steel
9	1	CP8373-I	* Outside spring, steel
10	1	CP8367-AL	Guide sleeve, aluminum
11	1	CP8366-FA	* Diaphragm, fairprene
12	1	CP8365-304SS	Stop ring, type 304 stainless steel
13	1	CP8364-NYB	* Back-up seat, nylon, black
14	1	CP13093-5/8-SS	Screw, stainless steel
15	1	CP8389-304SS	Chamber insert, stainless steel
16	1	CP8361-3/4-NYB	Body, nylon, black
17	1	CP9017-IZP	Clamp plate, zinc plated steel

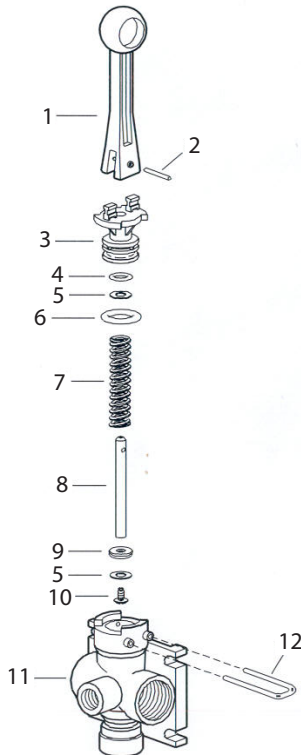
Repair parts kits:

AB8460-KIT

Includes all items marked with *

AA6B

Manual Control Valve Breakdown & Parts List



Ref #	Qty.	Part Number	Description
1	1	CP36301-NY	Nylon handle
2	1	CP36308-SS	Stainless groove pin
3	1	N/A	Polypropylene body insert
4	1	*	Viton O-ring
5	2	N/A	Polyporpylene washer
6	1	*	Viton O-ring
7	1	N/A	Stainless spring
8	1	N/A	Stainless stem
9	1	*	Viton shut-off washer
10	1	*	Stainless phillips head screw
11	1	CP36303-PP	Polypropylene body
12	1	CP36309-302SS	Stainless retaining clip
N/A	1	* PK-AB6B-KIT	Spare parts kit (includes ref. #'s 4, 6, 9)

CropCare[®] Limited Warranty

Model: 6B3MC1

Warranty Coverage

CropCare[®] hereby provides a Limited One (1) Year Warranty on this product, manufactured by CropCare[®]. This product manufactured by CropCare[®] is warranted against any manufacturer's defects and any of this product's components in the 12 months following the original date of purchase.

Defective components will be repaired or replaced at the discretion of the manufacturer. It is the responsibility of the purchaser to return warranted components to the manufacturer. This warranty is limited to the repair or replacement of this product's components only. CropCare[®] is not to be held liable for incidental or consequential damages of any kind. This warranty covers the purchaser of this product and any other owners who own it during the one (1) year warranty period.

To retain the warranty, the product must be operated and maintained as described by its owner's manual. For warranty service, please have a copy of the purchase invoice available.

Warranty Is Void if:

1. This product has been subjected to, in the opinion of CropCare[®], negligent handling, misuse, an accident or if the instructions in the owner's manual were not completely followed.
2. This product's components have been altered in any manner or repairs have taken place with unapproved parts.

Getting Service

All product warranty claims must be made through the original retailer. All warranty claims must be submitted with an invoice or a proof of purchase that denotes the purchase date and place of purchase. If you have any questions or comments concerning this warranty, please contact the original retailer.

Ordering Parts

Please contact the original retailer to order replacement parts for your product.

CROPCARE

Manufactured by PBZ LLC
A Paul B. Zimmerman Inc. Company
www.CropCareEquipment.com